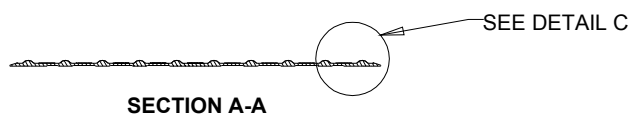
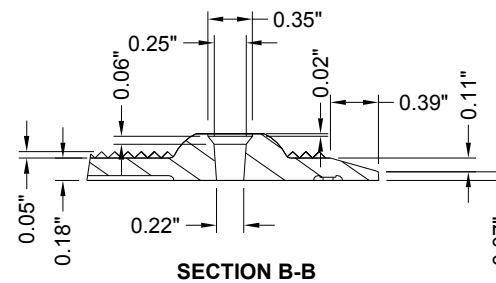
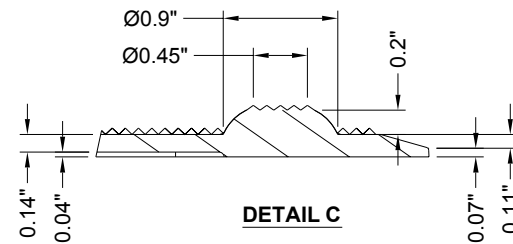
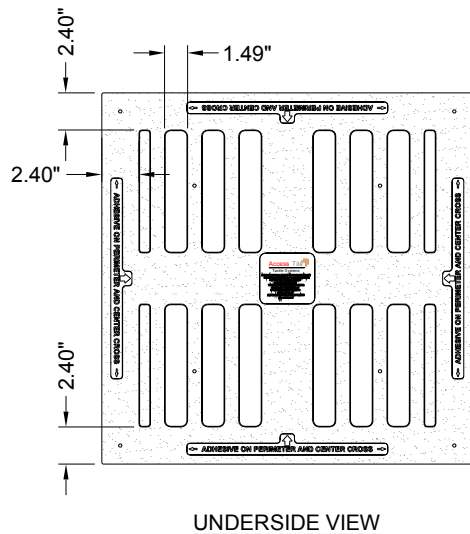
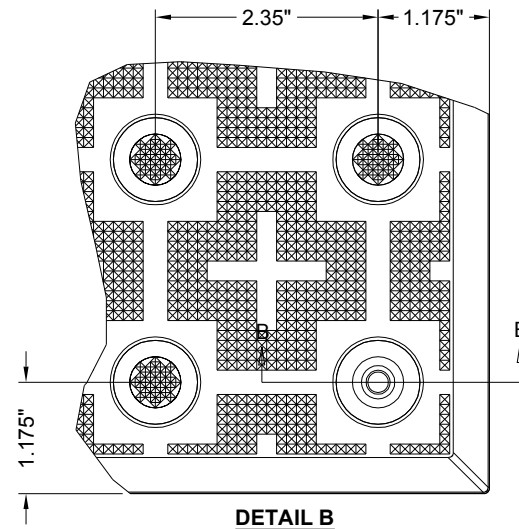
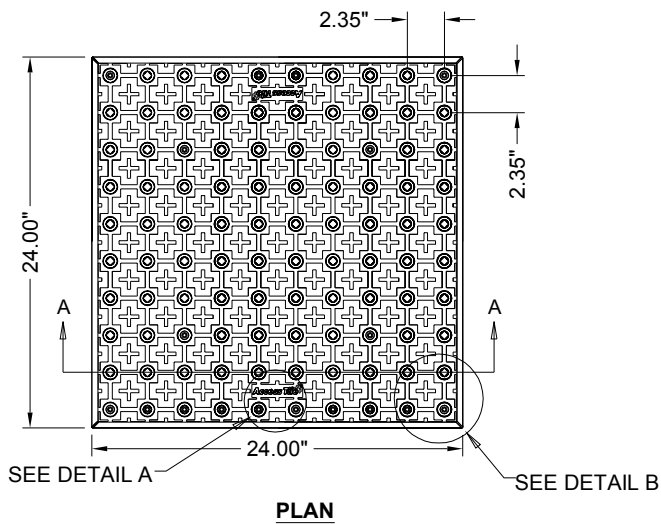


2'X2'

**SURFACE APPLIED
2.35" DOME SPACING**

www.AccessTile.com 888-679-4022



DETAIL A

www.AccessTile.com

Access Products Inc

© Access Products Inc.
ACCESS, ACCESS TILE, ACCESS AND THE THREE AND TWO
DIMENSIONAL DESIGNS ON THE TILE BETWEEN DOMES
AND ON DOMES ARE TRADEMARKS OF
ENGINEERED SYSTEMS INC.
PATENTS PENDING IN THE UNITED STATES,
CANADA AND INTERNATIONALLY
MANUFACTURED AND DISTRIBUTED
UNDER LICENSE BY
ACCESS WORLD PRODUCTS INCORPORATED
www.accesstile.com
© KENNETH E.
SZEKELY

MATERIAL LIST

ITEM	DESCRIPTION	PART NO.	QTY
1	ACCESS TILE	ACC-S-2X2	1
2	Tek™ ANCHOR	ACC-S-ANCH	B
3	TACTILE BOND AND SEAL	TBS-010	1 ea

NOTE: FASTENERS AND 1 TUBE OF TACTILE BOND AND SEAL ARE INCLUDED WITH TILE

REFERENCE DRAWINGS

DWG. NO.	DESCRIPTION

No.	DATE	REVISION	APPR.

SCALE
1"=1'-0" U.N.O.
FULL SIZE ONLY

DESIGNED KES	DATE 10/09/2008
DRAWN RWO	10/15/2008
CHECKED KES	

PROJECT MANAGER	
TRADE DETECTABLE WARNING SURFACE	PART NO. ACC-S-2X2

MATERIAL
POLYMER COMPOSITE

SUBJECT
ACCESS TILE®
TRUNCATED DOME, DETECTABLE
WARNING TACTILE SURFACE

PROJECT
ACCESS TILE®
TRUNCATED DOME, DETECTABLE
WARNING TACTILE SURFACE
2X2 SURFACE APPLIED
INLINE DOME TILE DRAWING.

DRAWING NO. ACC-S-2X2	REV. NO. Ø
--------------------------	---------------