



We appreciate your interest in our **Access Tile Tactile Detectable Warning Tile Systems**, and as requested we are enclosing our recently updated submittal package.

This informative compilation includes a copy of our brochure, product specifications, installation manuals, detail drawings, laboratory test results, cleaning and maintenance instructions, a sample warranty form, a letter of compliance, and our standard colors. This information should prove useful in determining the **Access Tile System** (Cast In Place Replaceable or Surface Applied) that is best suited to your project requirements. However, if additional information is required, such as project specific detail drawings and specifications, we would be pleased to produce a detailed proposal specific to your project requirements.

The principal features and benefits of **Access Tile System** represent the latest design innovations for detectable warning tiles. The primary features and benefits of Access Tile Tactile Systems are:

- Replaceable Open Ended Design - **Better Installations and Easy to Maintain**
- State of the Art Engineered Composite Technology – **Superior Performance**
- Consistent 2.35” Dome Spacing when Tiles are Adjoined – **ADA Compliant**
- Tamper Proof Stainless Steel Fastener Design with Nylon Anchors – **Corrosion Resistant**
- Diamond Grip™ Micro Prism Design – **Enhanced Anti-Slip Surface for Safety**
- Preassembled Tek Anchor System – **Lower Labor Costs**
- Largest selection of Standard Sizes and Colors – **Meets Any Project Requirement**
- QC Approved and ASTM Tested - **Highest Material Standards**
- Unprecedented **5 Year Standard Warranty** – **Install With Confidence**

The following overview of **Access Tile Tactile Systems**, together with the information contained in our submittal package will confirm the **Access Tile System** is best suited to meet your project requirements. If you would like to speak directly with our sales or engineering representatives please call us directly by dialing toll free **(888) 679-4022**.

Yours truly,

John Heffner
Vice President
Access Products Inc.
johnh@accessproducts.com



Product Presentation

Access Tile Tactile Systems is a market leader in detectable warnings and tactile systems for the visually impaired. Access Tile Tactile Systems are fully compliant with the Americans with Disabilities Act (ADA).

Applications

Access Tile Tactile Systems can be used anywhere the safety of the visually impaired is a concern such as curb ramps, depressed curb walkway systems, shopping malls and parking areas.

Features

Access Tile Tactile Systems are available in a variety of sizes and colors to suit your project specific requirements and a Replaceable Cast in Place design for new construction installations or a Surface Applied design for retrofit applications.

Benefits

- The Diamond Grip™ Micro Prism Surface provides an enhanced anti-slip surface.
- The open-end Easy Cast™ ribbed chevron underside channels air out from under the tile and enables a wet set installation in a matter of minutes.
- The tamper resistant fasteners allow for easy access to remove for a life cycle maintenance strategy.
- The Engineered Composite Technology provides excellent Cost/Value.
- The 2.35" Dome Spacing is ADA Compliant.

For Additional Information

Please visit the Access Tile Tactile Systems website at www.accesstile.com

Contact

Access Products Inc
241 Main St., Suite 100
Buffalo, New York 14203
(888) 679-4022

REPLACEABLE CAST IN PLACE DETECTABLE/TACTILE WARNING SURFACES

SECTION 32 17 26

REPLACEABLE CAST IN PLACE DETECTABLE/TACTILE WARNING SURFACES

PART 1 GENERAL

1.01 RELATED DOCUMENTS

A. Drawings and general provisions of Contract, including General and Special Conditions and Division 1 Specifications Section, apply to this Section.

1.02 DESCRIPTION

A. This Section specifies furnishing and installing Replaceable Cast in Place Detectable/Tactile Warning Tiles where indicated.

1.03 SUBMITTALS

A. Product Data: Submit manufacturer's literature describing products, installation procedures and routine maintenance.

B. Samples for Verification Purposes: Submit two (2) tile samples minimum 12"x12" of the kind proposed for use.

C. Shop drawings are required for products specified showing fabrication details, composite structural system, tile surface profile, fastener and anchor locations, plans of tile placement including joints, and material to be used as well as outlining installation materials and procedure.

D. Material Test Reports: Submit complete test reports from qualified accredited independent testing laboratories to qualify that materials proposed for use are in compliance with requirements and meet or exceed the properties indicated on the specifications. All tests shall be conducted on a Replaceable Cast In Place Detectable Tactile Warning Tile system as certified by a qualified independent testing laboratory and be current within a 60 month period.

E. Maintenance Instructions: Submit copies of manufacturer's specified installation and maintenance practices for each type of Detectable Warning Tile and accessory as required.

1.04 QUALITY ASSURANCE

A. Provide Replaceable Cast in Place Detectable/Tactile Warning Tiles and accessories as produced by a single manufacturer with a minimum of three (3) years experience in the manufacturing of Cast in Place Detectable/Tactile Warning Tiles.

B. Installer's Qualifications: Engage an experienced installer certified in writing by Replaceable Cast in Place Detectable/Tactile Warning Tile manufacturer as qualified for installation, who has successfully completed installations similar in material, design, and extent to that indicated for project.

C. Americans with Disabilities Act (ADA): Provide Replaceable Detectable/Tactile Warning Tiles which comply with the detectable warnings on walking surfaces section of the Americans with Disabilities Act (Title III Regulations, 28 CFR Part 36 ADA STANDARDS FOR ACCESSIBLE DESIGN, Appendix A, Section 4.29.2 DETECTABLE WARNINGS ON WALKING SURFACES).

D. California Code of Regulations (CCR): Provide only approved DSAAC detectable warning products as provided in the California Code of Regulations (CCR) Title 24, Section 1112A.9 and 1127B.5 for "Curb Ramps" and Section 1133B.8.5 for "Detectable Warnings at Hazardous Vehicular Areas".

E. Engineered Polymer Composite Replaceable Cast in Place Detectable/Tactile Warning Tiles shall be manufactured from an ultra violet stabilized polymer composition with fiberglass reinforcement, the tile shall incorporate an in-line pattern of truncated domes measuring nominal 0.2" height, 0.90" base diameter, and 0.45" top diameter, and spaced center-to-center 2.35" as measured side by side. For wheelchair safety the field area shall consist of a high density, diamond grip™ pyramid micro texture of raised points 0.05" high; "Access Tile" as manufactured by Access Products, Inc., Tel: 888-679-4022, or approved equal.

1. Dimensions: Replaceable Cast in Place Detectable/Tactile Warning Tiles shall be held within the following dimensions and tolerances:

Specifiers Note: Edit section below by selecting desired length and width. Delete non-relevant dimensions.

Length and Width: [12x12] [24x36] [24x48] [24x60] [36x48] [36x60] [15' Radius Curve] {+/- .5"}
Fasteners/Anchors: 12 min.

ASTM Reference	Test Description	Requirements
ASTM D 695	Compressive Strength	Not less than 25,000 psi
ASTM D 790	Flexural Strength	Not less than 30,000
ASTM D 570	Water Absorption	0.05%
ASTM C 1028	Slip Resistance	0.8 wet/dry
ASTM E 84	Flame Spread Index	≤ 25
ASTM B 117	Salt Spray	No Change (300 hours)
ASTM 1308	Chemical Stain	No Effect
ASTM C 501	Abrasion Resistance	Lw>500
ASTM G 155	Accelerated Weathering	Delta E<5 (2,000 hours)
ASTM D 638	Tensile Strength	12,500 psi
AASHTO-H20	Load Bearing at 10,410 lbs.	No Cracking, Delamination or Deformation
ASTM C 1026	Freeze/Thaw/Heat	No Chipping, Cracking or Peeling
ASTM D 1037	Accelerated Aging [Freeze/Thaw]	No Change in Color, Gloss or Delamination
ASTM D 696-03	Linear Thermal Expansion	9.45 x 10 ⁻⁷ per °Fahrenheit

1.05 DELIVERY, STORAGE AND HANDLING

A. Replaceable Cast in Place Detectable/Tactile Warning Tiles shall be suitably packaged or crated to prevent damage in shipment or handling. Finished surfaces shall be protected by sturdy plastic wrappings to protect tile from concrete residue during installation and tile type shall be identified by part number.

B. Replaceable Cast in Place Detectable/Tactile Warning Tiles shall be delivered to location at building site for storage prior to installation.

1.06 SITE CONDITIONS

A. Environmental Conditions and Protection: Maintain minimum temperature of 40°F in spaces to receive Replaceable Cast in Place Detectable/Tactile Warning Tiles for at least 24 hours prior to installation, during installation, and for not less than 24 hours after installation.

B. The use of water for work, cleaning or dust control, etc. shall be contained and controlled and shall not be allowed to come into contact with the general public. Provide barricades or screens to protect the general public.

1.07 WARRANTY

A. Replaceable Cast in Place Detectable/Tactile Warning Tiles shall be warranted in writing for a period of five (5) years from date of final completion. The guarantee includes defective work, breakage, deformation, fading and loosening of tiles.

PART 2 PRODUCTS

2.01 MANUFACTURERS

A. The Engineered Polymer Composite Replaceable Cast In Place Detectable/Tactile Warning Tile specified is based on Access Tile manufactured by Access Products, Inc. (888-679-4022) existing engineered and field tested products, which have been in successful service for a period of three (3) years are subject to compliance with requirements, may be incorporated in the work and shall meet or exceed the specified test criteria and characteristics.

B. Color: Yellow conforming to Federal Color No. 33538. Color shall be homogeneous throughout the tile. Tiles are also available in Dark Grey (Federal Color No. 36118), Onyx Black (Federal Color No. 17038), Brick Red (Federal Color No. 22144), and Colonial Red (Federal Color No. 20109).

PART 3 EXECUTION

3.01 INSTALLATION

A. During the Replaceable Cast in Place Detectable/Tactile Warning Tile installation procedures, ensure adequate safety guidelines are in place and that they are in accordance with the applicable industry and government standards.

B. Prior to placement of the Replaceable Cast in Place Detectable/Tactile Warning Tile system, review manufacturer's instructions and contract drawings with the Contractor prior to the construction and refer any and all discrepancies to Project Engineer.

C. The specifications and related materials shall be in strict accordance with the contract documents and the guidelines set by their respective manufacturers. Contact manufacturer for installation instructions relating to asphalt applications.

D. The physical characteristics of the concrete shall be consistent with the contract specifications while maintaining a slump range of 4 - 7 to permit solid placement of the Replaceable Cast in Place Detectable/Tactile Warning Tile system. An overly wet mix will cause the tile to float. Under these conditions, suitable weights such as sandbags shall be placed on tile.

E. The concrete pouring and finishing operations require typical mason's tools, however, a 4' long level with electronic slope readout, and 10 lb. sandbags are specific to the installation of the Replaceable Cast in Place Detectable/Tactile Warning Tile system.

F. The factory-installed plastic sheeting must remain in place during the entire installation process to prevent the splashing of concrete onto the finished surface of the tile.

G. When preparing to set the tile, it is important that no concrete be removed in the area to accept the tile. It is imperative that the installation technique eliminates any air voids under the tile. Gaps in the tile allow air to escape during the installation process.

H. The concrete shall be poured and finished true and smooth to the required dimensions and slope prior to the tile placement. Immediately after finishing concrete, the electronic level should be used to check that the required slope is achieved. The tile shall be placed true and square to the curb edge in accordance with the contract drawings. The Replaceable Cast in Place Detectable/Tactile Warning Tiles shall be tamped (or vibrated) into the fresh concrete to ensure that the field level of the tile is flush to the adjacent concrete surface. The embedment process should not be accomplished by stepping on the tile as this may cause uneven setting which can result in air voids under the tile surface. The contract drawings indicate that the tile field level (base of truncated dome) is flush to adjacent surfaces to permit proper water drainage and eliminate tripping hazards between adjacent finishes.

CURVE

REPLACEABLE CAST IN PLACE 2.35" DOME SPACING

Access Tile

Tactile Systems

888-679-4022

AccessTile.com

Access Products Inc.

ACCESS, ACCESS TILE, ACCESS, AND THE THREE AND TWO DIMENSIONAL DESIGNS ON THE TILE BETWEEN DOMES AND ON DOMES ARE TRADEMARKS OF ENGINEERED SYSTEMS INC.

PATENTS PENDING IN THE UNITED STATES, CANADA AND INTERNATIONALLY.

MANUFACTURED AND DISTRIBUTED UNDER LICENSE BY ACCESS WORLD PRODUCTS INCORPORATED.

MATERIAL LIST

ITEM	DESCRIPTION	PART NO.	QTY
1	ACCESS TILE	ACC-R-2X2CRV	1
2	ANCHOR ASSEMBLY	ACC-R-ANCH	9

NOTE: ANCHORS ARE INCLUDED AND ASSEMBLED ON TILE

REFERENCE DRAWINGS

DWG. NO.	DESCRIPTION

No.	DATE	REVISION	APPR.

SCALE 1"=1'-0" U.N.O. FULL SIZE ONLY

DESIGNED	KES	DATE	12/20/2013
DRAWN	VS	DATE	06/26/2014
CHECKED	DD		

PROJECT MANAGER

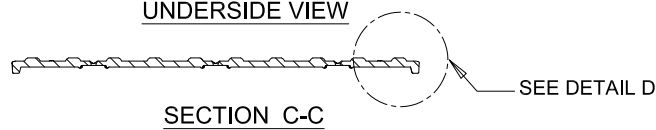
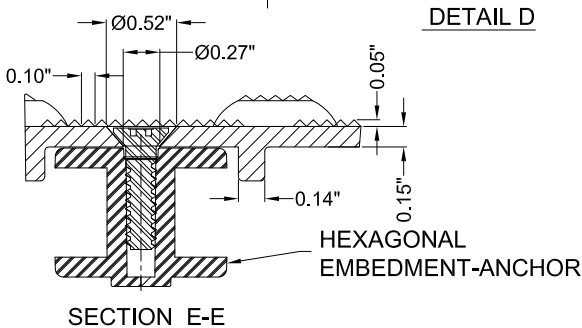
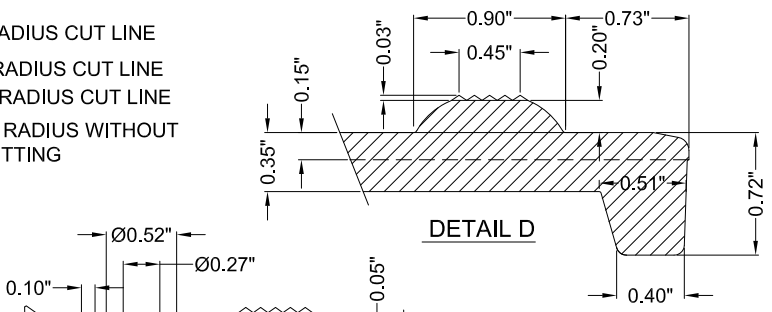
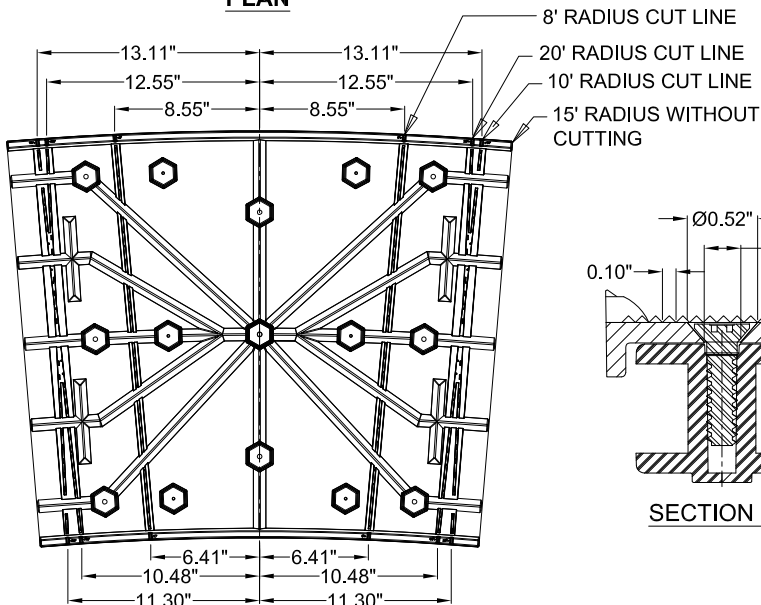
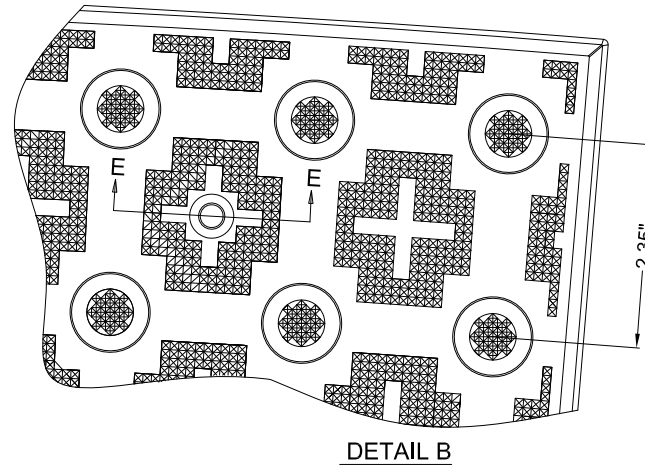
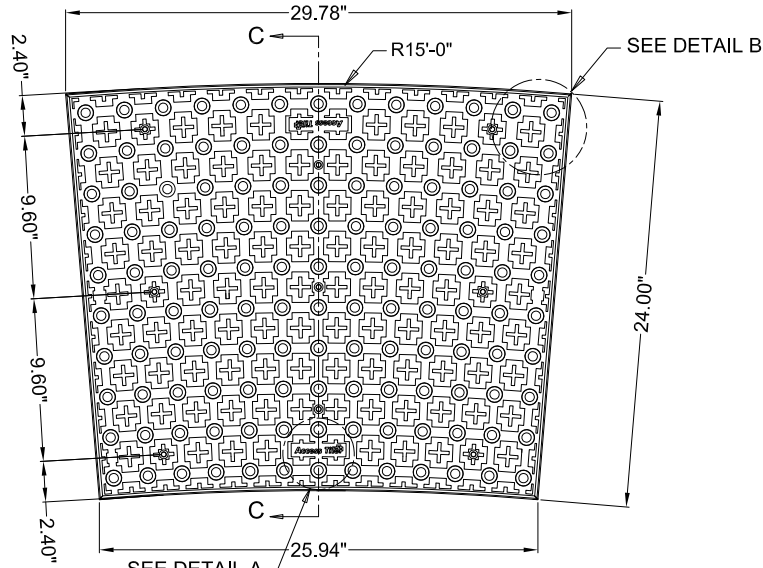
TRADE DETECTABLE WARNING SURFACE PART NO. ACC-R-2X2CRV

MATERIAL POLYMER COMPOSITE

SUBJECT **ACCESS TILE®**
TRUNCATED DOME, DETECTABLE WARNING TACTILE SURFACE

PROJECT **ACCESS TILE®**
TRUNCATED DOME, DETECTABLE WARNING TACTILE SURFACE
2X2 CURVED REPLACEABLE CAST IN PLACE
INLINE DOME TILE DRAWING.

DRAWING NO.	ACC-R-2X2CRV	REV. NO.	Ø
-------------	--------------	----------	---

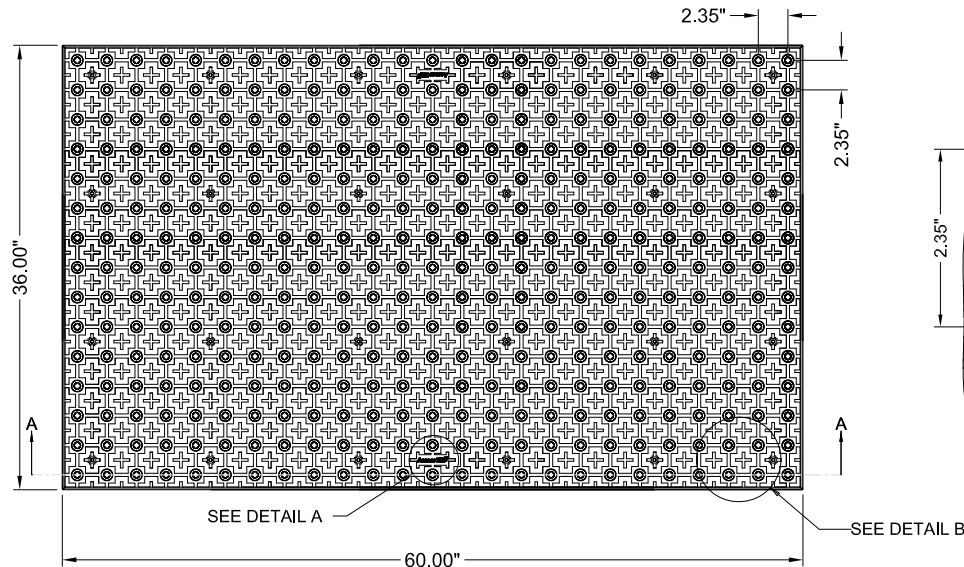


DETAIL A

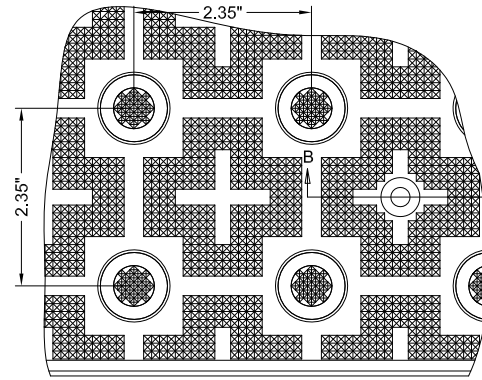
NOTE: ALL CUT LINE RADII REFERENCE LARGER TILE RADII

3'X5'

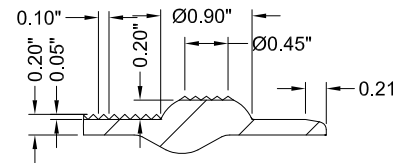
**REPLACEABLE CAST IN PLACE
2.35" DOME SPACING**



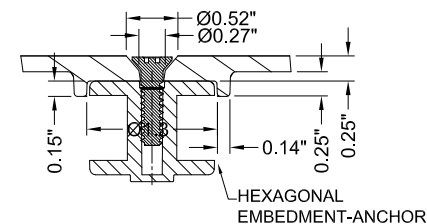
PLAN



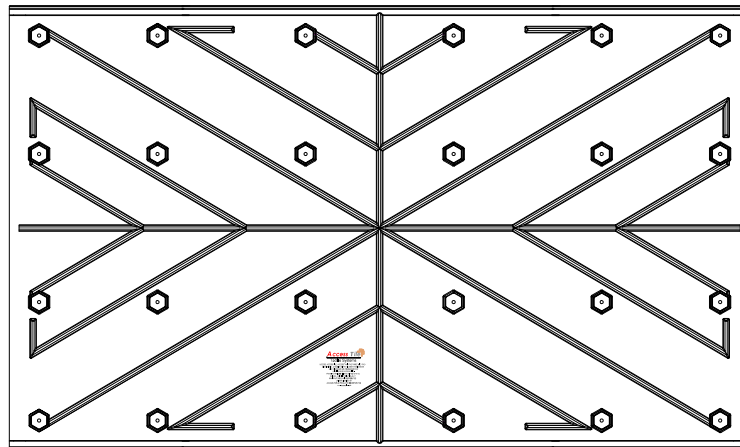
DETAIL B



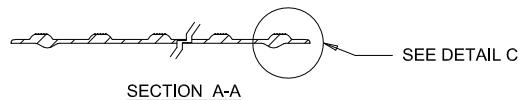
DETAIL C



SECTION B-B



UNDERSIDE VIEW



SECTION A-A



DETAIL A

www.AccessTile.com
Access Products Inc

© Access Products Inc. ACCESS, ACCESS TILE, ACCESS + AND THE TWO AND THREE DIMENSIONAL DESIGNS ON THE DOMES ARE TRADEMARKS OF ENGINEERED SYSTEMS INC. PATENTS PENDING IN THE USA, CANADA AND INTERNATIONALLY. MANUFACTURED AND DISTRIBUTED BY ACCESS WORLD PRODUCTS INC. www.accesstile.com
© KENNETH E. SZEKELY

MATERIAL LIST

ITEM	DESCRIPTION	PART NO.	QTY
1	ACCESS TILE	ACC-R-3X5	1
2	ANCHOR ASSEMBLY	ACC-R-ANCH	24

NOTE: ANCHOR ARE INCLUDED AND ASSEMBLED ON TILE.

REFERENCE DRAWINGS

DWG. NO.	DESCRIPTION

No.	DATE	REVISION	APPR.

SCALE 1"=1'-0" U.N.O. FULL SIZE ONLY

DESIGNED	KES	DATE	10/09/2008
DRAWN	RWD	DATE	10/15/2008
DRAWN	KES		

PROJECT MANAGER

TRADE DETECTABLE WARNING SURFACE PART NO. ACC-R-3X5

MATERIAL POLYMER COMPOSITE

SUBJECT **ACCESS TILE®**
TRUNCATED DOME, DETECTABLE WARNING TACTILE SURFACE

PROJECT **ACCESS TILE®**
TRUNCATED DOME, DETECTABLE WARNING TACTILE SURFACE
3X5 REPLACEABLE CAST IN PLACE
INLINE DOME TILE DRAWING.

DRAWING NO.	ACC-R-3X5	REV. NO.	0
-------------	-----------	----------	---

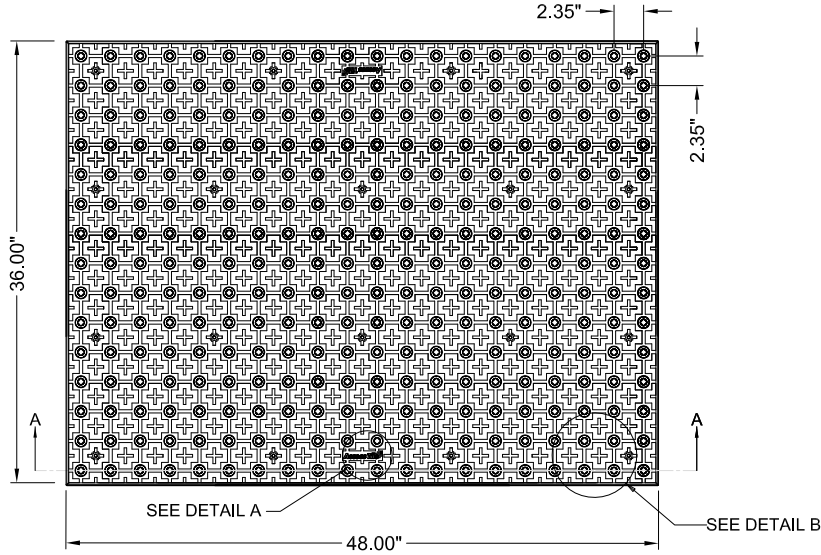
3'X4'

REPLACEABLE CAST IN PLACE
2.35" DOME SPACING

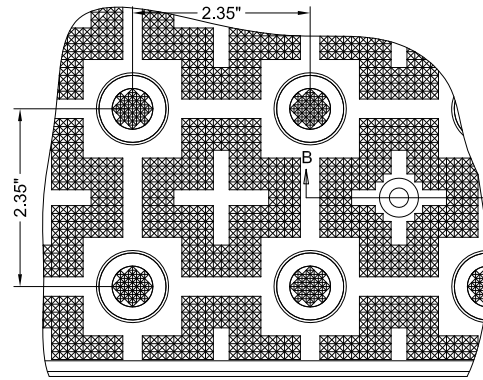


Tactile Systems

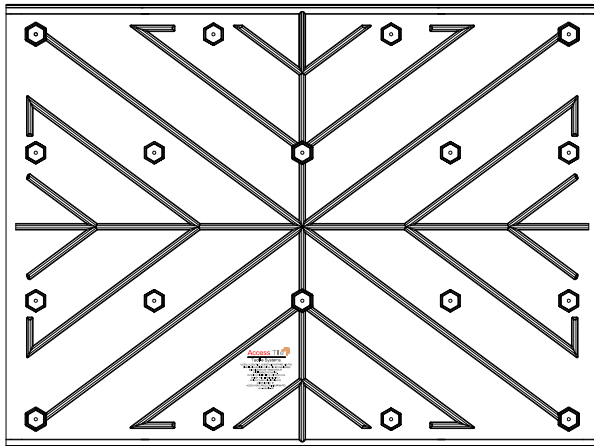
www.AccessTile.com 888-679-4022



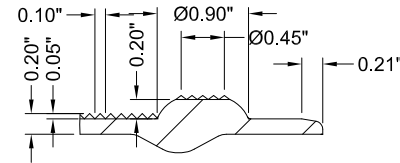
PLAN



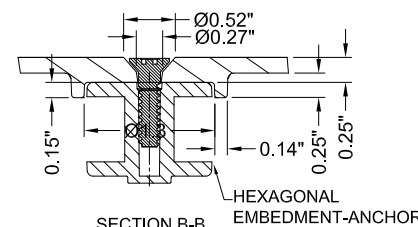
DETAIL B



UNDERSIDE VIEW



DETAIL C



SECTION B-B

HEXAGONAL EMBEDMENT-ANCHOR



SECTION A-A

SEE DETAIL C



DETAIL A

www.AccessTile.com

Access Products Inc

© Access Products Inc. ACCESS, ACCESS TILE, ACCESS + AND THE TWO AND THREE DIMENSIONAL DESIGNS ON THE DOMES ARE TRADEMARKS OF ENGINEERED SYSTEMS INC. PATENTS PENDING IN THE USA, CANADA AND INTERNATIONALLY. MANUFACTURED AND DISTRIBUTED BY ACCESS WORLD PRODUCTS INC. www.accesstile.com

© KENNETH E. SZEKELY

MATERIAL LIST

ITEM	DESCRIPTION	PART NO.	QTY
1	ACCESS TILE	ACC-R-3X4	1
2	ANCHOR ASSEMBLY	ACC-R-ANCH	18

NOTE: ANCHOR ARE INCLUDED AND ASSEMBLED ON TILE.

REFERENCE DRAWINGS

DWG. NO.	DESCRIPTION

No.	DATE	REVISION	APPR.

SCALE 1"=1'-0" U.N.O. FULL SIZE ONLY

DESIGNED	KES	DATE	10/09/2008
DRAWN	RWD	DATE	10/15/2008
DRAWN	KES		

PROJECT MANAGER	
-----------------	--

TRADE DETECTABLE WARNING SURFACE	PART NO. ACC-R-3X4
----------------------------------	--------------------

MATERIAL POLYMER COMPOSITE

SUBJECT **ACCESS TILE®**
TRUNCATED DOME, DETECTABLE WARNING TACTILE SURFACE

PROJECT **ACCESS TILE®**
TRUNCATED DOME, DETECTABLE WARNING TACTILE SURFACE
3X4 REPLACEABLE CAST IN PLACE
INLINE DOME TILE DRAWING.

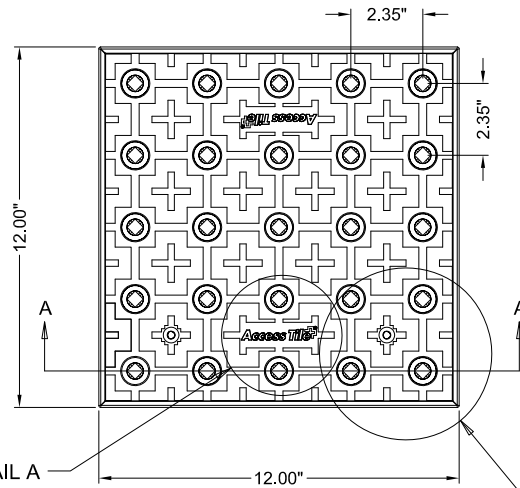
DRAWING NO. ACC-R-3X4	REV. NO. 0
-----------------------	------------

1'X1'

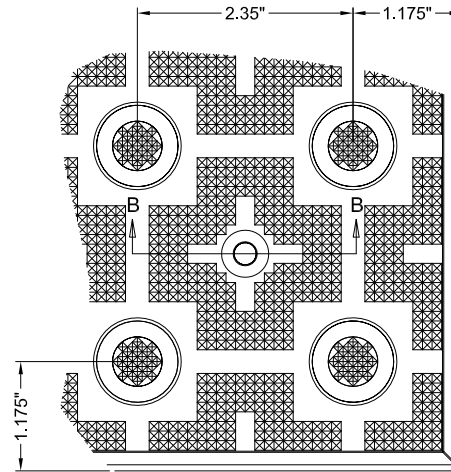
REPLACEABLE CAST IN PLACE
2.35" DOME SPACING



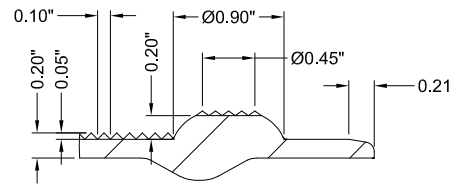
www.AccessTile.com 888-679-4022



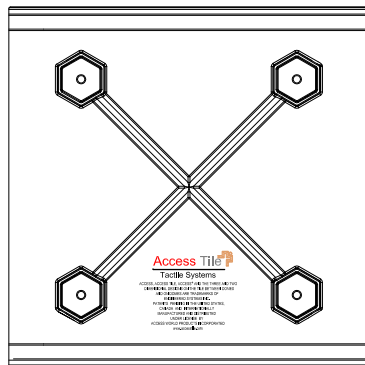
PLAN



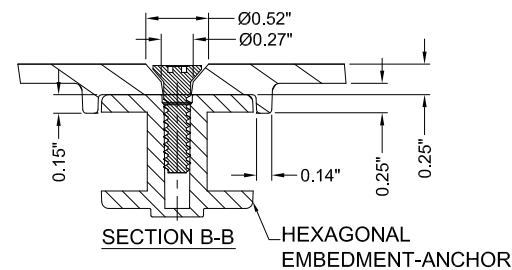
DETAIL B



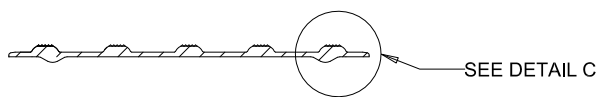
DETAIL C



UNDERSIDE VIEW



SECTION B-B
HEXAGONAL EMBEDMENT-ANCHOR



SECTION A-A



DETAIL A

www.AccessTile.com

Access Products Inc

© Access Products Inc. ACCESS, ACCESS TILE, ACCESS + AND THE TWO AND THREE DIMENSIONAL DESIGNS ON THE DOMES ARE TRADEMARKS OF ENGINEERED SYSTEMS INC. PATENTS PENDING IN THE USA, CANADA AND INTERNATIONALLY. MANUFACTURED AND DISTRIBUTED BY ACCESS WORLD PRODUCTS INC. www.accesstile.com
© KENNETH E. SZEKELY

MATERIAL LIST

ITEM	DESCRIPTION	PART NO.	QTY
1	ACCESS TILE	ACC-R-1X1	1
2	ANCHOR ASSEMBLY	ACC-R-ANCH	4

NOTE: ANCHOR ARE INCLUDED AND ASSEMBLED ON TILE.

REFERENCE DRAWINGS

DWG. NO.	DESCRIPTION

No.	DATE	REVISION	APPR.

SCALE 1"=1'-0" U.N.O. FULL SIZE ONLY

DESIGNED	KES	DATE	10/09/2008
DRAWN	RWD	DATE	10/15/2008
DRAWN	KES		

PROJECT MANAGER

TRADE DETECTABLE WARNING SURFACE PART NO. ACC-R-1X1

MATERIAL POLYMER COMPOSITE

SUBJECT **ACCESS TILE®**
TRUNCATED DOME, DETECTABLE WARNING TACTILE SURFACE

PROJECT **ACCESS TILE®**
TRUNCATED DOME, DETECTABLE WARNING TACTILE SURFACE
1X1 REPLACEABLE CAST IN PLACE
INLINE DOME TILE DRAWING.

DRAWING NO.	ACC-R-1X1	REV. NO.	0
-------------	-----------	----------	---



Tactile Systems

CLEANING AND MAINTENANCE MANUAL

The Access Tile Detectable Warning Tile is unique in its visual and tactile properties and requires a slight variation in cleaning procedures. Due to the undulation and texture of the tile surface, it is necessary to reach the grime that rests on the low parts of the tile. Standard wet mopping will not be completely effective in cleaning these textured surfaces. A major benefit of the polymer composite tile is that the composition is virtually non-porous, and prevents liquids, dust and grime seeping into the body of the tile. The unique, non-porous nature of the tile therefore lends itself to regular and frequent cleaning in order to maintain and enhance the visual contrast that the bright yellow tile provides. Visual contrast is an essential safety feature of the tactile tiles, and this contrast must be rigorously maintained with regular cleaning in order to provide the contrast that the visually impaired rely on for their safety. The use of general purpose commercial floor cleaners or machine bristle scrubbing will not harm Access Tile. However, as these cleaning practices may weaken or dissolve the adjacent floor finish, careful attention must be paid to the selection and application of the cleaning solution. It is advisable to check with the manufacturer of the cleaning solution in order to be certain that the product intended to be used will not harm the Access Tile, grout, or the adjacent floor finish in any way.

Regular Maintenance

Many neutral general purpose cleaners are effective for the regular maintenance and cleaning of Access Tile. It is important that the cleaner to be used has a non-oil, non-animal fat, non-soap base. Cleaners with these bases may cause problems due to oil-residues which tend to trap dirt in the cleaning process.

Please remember to treat any cleaning product you wish to use on a small, out of the way test area of the tactile surface and adjacent floor area before applying it to the entire Access Tile surface. This will ensure that it performs as desired, not only on the Access Tile surface but also on the adjacent floor finish, thus avoiding unexpected problems.

Avoid Surface Coatings

Access Tile does not require the use of sealants or waxes. Adding surface coatings increases the number of unnecessary steps in maintenance procedures without improving either the appearance of the tile, or the resistance to dirt build-up. In fact, using a surface coating turns a low maintenance composite finish into a high maintenance tile.

In addition, surface coatings will actually diminish the unique performance characteristics that make Access Tile exceptional among tactile tiles. Such surface coatings create a thin barrier that may modify the skid resistance and visibility properties, thereby reducing an important safety feature of the flooring.



Tactile Systems

Certificate of Compliance*

July 1, 2021

*issued on a per project basis

Contract Number / Date:

Project Description:

Installer:

Owner:

Product Installed:

Access Products Inc. certifies that the Access Tile and specified installation materials are in compliance with the following:

Americans with Disabilities Act (ADA) (Title III Regulations, 28 CFR Part 36 ADA STANDARDS FOR ACCESSIBLE DESIGN, Appendix A, Section 4.29.2 DETECTABLE WARNINGS ON WALKING SURFACES).

California Code of Regulations (CCR): Provide only approved DSAAC detectable warning products as provided in the California Code of Regulations (CCR) Title 24, Chapter 2, Section 202 definition of "Detectable Warning". Section 11B-247 and 11B-705 "Detectable Warnings and Detectable Directional Texture"

ISO 23599: 2012(E): Assistive Products for Blind and Vision Impaired Persons – Tactile Walking Surface Indicators.

CSA B651-12: Accessible Design for the Built Environment Standard
Integrated Accessibility Standards Regulation 191/11 – Sections 80.25 to 80.29

Please visit our web site www.accesstile.com or call us directly for additional information regarding our products and services.

Sincerely,

John Heffner
Vice President

ACCESS PRODUCTS INC.

241 Main Street • Suite 100 • Buffalo, NY 14203 T: (888) 679.4022 F: (877) 679.4022
www.accesstile.com | www.accessproducts.com



Tactile Systems

MATERIAL WARRANTY*

Contract No./Date:
Project Description:
No. and Type of Tiles:
Installer:
Owner:

***issued on a per project basis**

Access Products Inc. warrants to the Owner that the Access Tile Detectable Warning Tile manufactured by Access Products Inc. and the adhesive is free from Manufacturer defects for a period of Five (5) years from the date of sale.

EXCLUSIVE REMEDIES. Access Products Inc., at its cost, will repair or replace defective material promptly reported to Access Products Inc. during the warranty period. This warranty includes labor costs and cost of removal of product. Repair or replacement will be done on site.

WARRANTY LIMITATIONS. Access Tile Inc. warranty of Access Tile products does not apply to conditions resulting from improper installation, improper use, external causes, intentional misuse or abuse, neglected or improper annual maintenance, vandalism, modifications to the Access Tile products or installation procedures with the exception of the Owner's right to immediately eliminate an unsafe condition.

DISCLAIMER OF WARRANTIES The above warranties are the Owner's exclusive warranties. No other warranty, express or implied, shall apply. Access Products Inc. specifically makes no warranty of merchantability and/or fitness for a particular purpose.

IN NO EVENT WILL ACCESS PRODUCTS INC. BE LIABLE FOR ANY DAMAGES, LOST PROFIT, DIRECT, CONSEQUENTIAL OR ECONOMIC DAMAGES.

MATERIAL SUPPLIER:

Access Products Inc.

Authorized Signature

John Heffner
Vice President
July 1, 2021

ACCESS PRODUCTS INC.

241 Main Street • Suite 100 • Buffalo, NY 14203 T: (888) 679.4022 F: (877) 679.4022
www.accesstile.com | www.accessproducts.com